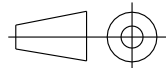
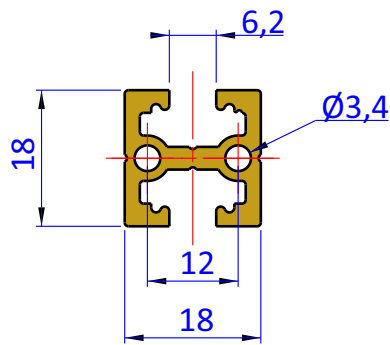
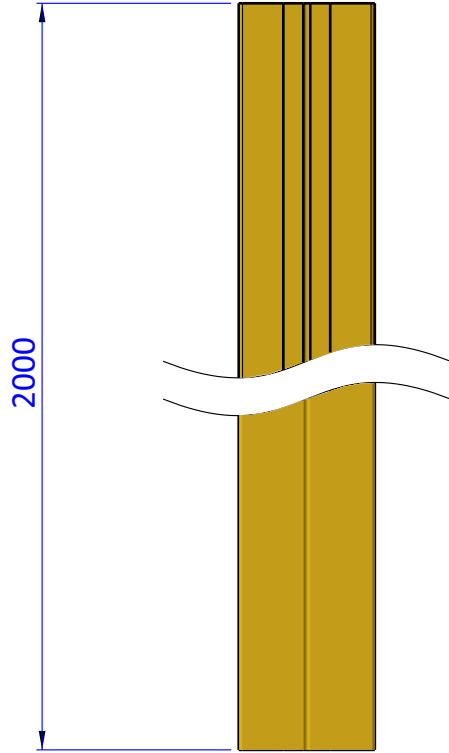


THE PROPERTY OF THE DRAWING IS ESTABLISHED BY LAW. IT IS FORBIDDEN TO PRODUCE OR SHOW IT TO THIRD PART. WITHOUT A WRITTEN AGREEMENT.

Item	Name	Q.ty
1	CA.L.1818.2000G	1



DESIGNED FROM	FPS Automation	REVIEW	A
---------------	----------------	--------	---

DATE	09/03/2020	WEIGHT	0,820kg
------	------------	--------	---------

CODE	CA.L.1818.2000G
------	-----------------

Format	A4
UNI 936-76	

GENERAL TOLERANCE	UNI - ISO 2768
CLASSE	f

DESCRIPTION	CA.L.1818.2000G
-------------	-----------------